



**L&T Construction & Mining Machinery**

---

# L&T 491

MINI TANDEM COMPACTOR

---

Operating Weight: **3,650 kg**  
Frequency: **55/65 Hz**  
Gross Power: **44.5 hp@2300 rpm**  
Engine: **Mahindra MDI 2500**

---



Manufactured by

**L&T Construction Equipment Limited**

---

## SALIENT FEATURES

- Highest operating weight in its class
- High compaction forces
- Highest drum shell thickness in its class
- Drum width 1.2 meter ideal for shoulder compaction
- Longitudinal engine mounting enables best-in-class drum edge visibility
- Shorter turning radius: good manoeuvrability
- Openable engine hood for better service accessibility
- 1Mx1M operator visibility all around the machine
- Heavy duty articulation joint
- Better ground clearance for working in uneven terrain
- Efficient filtration system



Ground Level Service Access

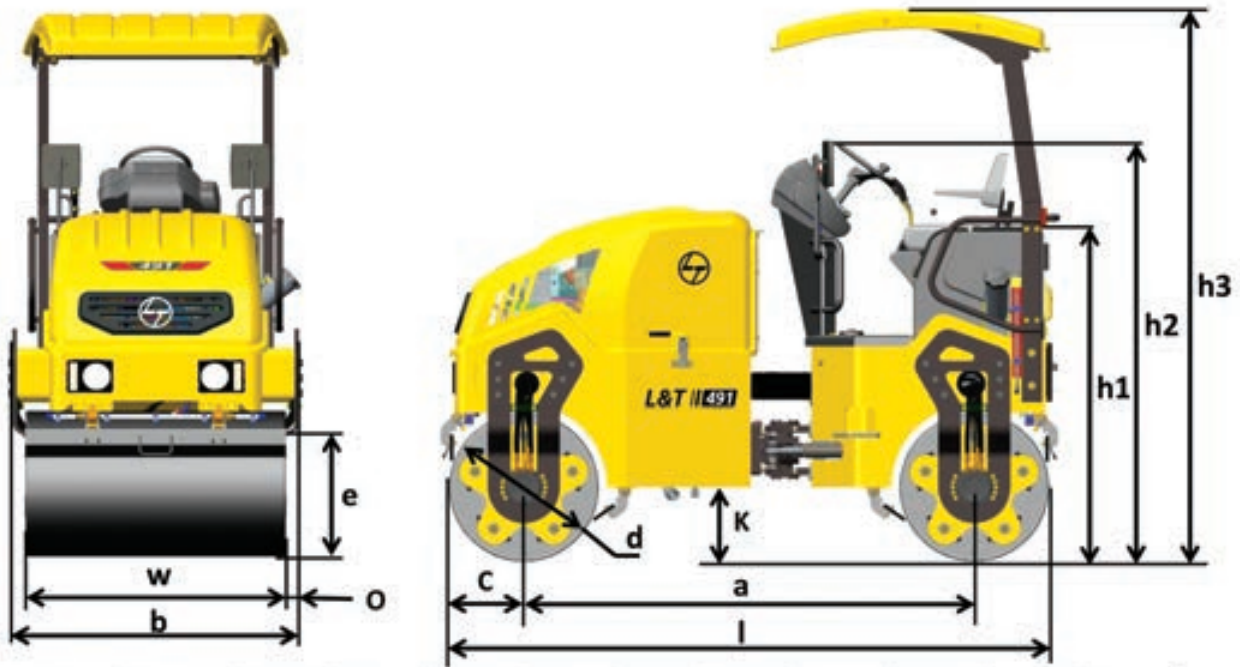


Sturdy Articulation Joint



Excellent all-Round Visibility

## MACHINE DIMENSION



I	a	d	C	K	h1	h2	h3	w	b	O	e
2920	2194	725	363	363	1630	2050	2695	1225	1345	60	600



# SPECIFICATIONS

ENGINE	
Make	Mahindra
Model	MDI 2500
Type	4 Stroke Inline, Water Cooled
Bore/Stroke (mm)	88.9x101.6
Cylinder (nos.)	4
Displacement (L)	2.52
Fuel Injection	Direct
Fuel	Diesel
Fuel Filter	Cartridge Type
Mud Filter	Cartridge Type
Air Filter	Dry Type with Dual Element
Engine oil filter	Spin-on Type
Engine Speeds (No loads)	Low Idle 800 rpm High idle 2500 rpm
Engine power (Gross)	44.5 hp@2300 rpm as per ISO 3046
Torque	157 Nm @ 1400-1500 rpm

PROPULSION	
Pump	Infinitely variable displacement Hydrostatic drive with Axial piston pump
Drum Drive Motors	Low speed high torque motor
MACHINE SPEED	
Speed	0 - 12 kmph
GRADEABILITY	
Working Gradient	27 %
Travel Gradient	32 %

VIBRATION SYSTEM		
Pump	Fixed displacement Gear pump	
Motors	Fixed displacement Gear motor	
Vibration Stage	LF	HF
Frequency, Hz	55	65
Amplitude, mm	0.6	
Centrifugal Force ,kN	31	45

DRUMS	
Width (mm)	1225
Diameter (mm)	725
Shell Thickness (mm)	13.5
Finish	Machined Drum with chamfered edges

BRAKE	
Service Brake	Hydrostatic Brake, FNR control
Parking Brake	Spring Applied Hydraulically Released

OPERATING DATA	
Operating weight, kgf	3650
Max. weight, kgf	3750
Front Axle Load, kgf	1825
Rear Axle Load, kgf	1825
Static Linear load Front/Rear (kg/cm)	14.9

STEERING	
Steering Angle	± 40°
Turning Radius (inner)	2.3 m
Drum Oscillation Angle	± 13°

SERVICE CAPACITIES	
Fuel Tank	55 liters
Hydraulic Tank	50 liters
Engine Crank Case	7 liters
Engine Coolant	14 liters

WATER SYSTEM	
Type	Pressure Spray Drum Wetting System
Pump	Diaphragm Pump
Spray Bar	2:5 Nozzles with 130° spray angle
Water Tank Capacity	170 L

ELECTRICALS	
System Volt	12V, DC
Alternator	45 A
Battery CCA	622 as per JIS

GAUGES	
● Lube oil Pressure	● LCD hour meter
● Engine coolant temp.	● Fuel level

OPERATOR COMFORT	
● Best-in-class drum edge visibility	
● Ergonomically designed height adjustable seat	
● 1Mx1M operator visibility all around the machine	
● Operator platform mounted on isolation pad	
● Controls easily accessible	
● Large rear view mirror	

STANDARD EQUIPMENT	
● Rear View Mirrors & Rear Work Lamps	
● Tilting engine Hood cover	
● Operator Canopy	
● Reverse Alarm	

32, Shivaji Marg, P.O. Box 6223  
**New Delhi** 110 015  
 Tel : (011) 40819500

Aspire Towers  
 Plot No: 55, 4th Floor  
 Industrial Area Phase - 1  
**Chandigarh** 160 002  
 Tel : (0172) 4646846

A-28 Indiranagar  
 Faizabad Road, First Floor  
**Lucknow** 226 016  
 Tel : 0522- 4929920

Monarch Building  
 D-236 & 237, Amrapali Marg  
 Vaishali Nagar, **Jaipur** 302021  
 Tel : (0141) 4385900

Shree Ram Plaza, 2,3 & 4  
 1st Floor, Siphon Chauraha  
 Bedla Road-**Udaipur** 313 001  
 Tel : (0294) 2451 337, 2451 305

3-B, Shakespeare Sarani,  
 P.O.Box 619, **Kolkata** 700 071  
 Tel : (033) 4400 2433/22831442

Annapoorna Complex  
 Plot No. 559, Lewis Road  
 Bhubaneshwar 751 014, **Odisha**  
 Tel : 9777049626

A1/11, Degaul Avenue  
 Khoirasol, **Durgapur** 713 212  
 Tel : 9830057293

Milanpur Road, Bamuni Maidan  
**Guwahati** 781 021  
 Tel : (0361) 4415/4412  
 8876554415

101/A, Dumurgaga  
 PO Booti  
**Ranchi** 835 217  
 Jharkhand  
 Tel: 9771493164

L&T-House, P.O.Box 119  
 191/1, Dhole Patil Road  
**Pune** 411 001  
 Tel : (020) 48544259

501, Sakar Complex  
 Opp. Gandhigram Rly. Stn.  
**Ahmedabad** 380 009  
 Tel : 7949004005

North Block II, First Floor,  
 Gate No.1, Powai Campus,  
 Sakhi Vihar Road, Powai (W)  
**Mumbai** 400 072  
 Tel : (022) 67053285/67052470

Radhadaya Complex  
 Near Charodar Complex,  
 Old Padra Road, **Vadodara** 390 015  
 Tel : (0265) 2334 799

12, Shivaji Marg  
 North Ambazari Road,  
**Nagpur** 440 010  
 Tel : (0712) 6606441/2260025

131/1 Zone II  
 Maharana Pratap Nagar,  
**Bhopal** 462 011  
 Tel : (0755) 3080522

Crystal Tower, IVth Floor  
 G. E. Road , Telibandha  
**Raipur** (CG) 492006  
 Tel: 9752544407

II Floor, Vasantha Chambers  
 5-10-173 Fateh Maidan Road  
**Hyderabad** 500 004  
 Tel : (040) 47575064

38, Cubbon Road  
**Bengaluru** 560 001  
 Tel : (080) 46136139/37

Skybright Building, M.G. Road,  
 Ravipuram Junction, P.O.Box 1723,  
 Ernakulam, **Kochi** 682 016  
 Tel : (0484) 4409401/409

L&T Construction Campus  
 TC-1 Building, 2nd Floor,  
 Mount Poonamallee Road,  
 Manapakkam, **Chennai** 600 089  
 Tel: (044) 40706864

No. 73, 8th Street,  
 Karpaga Nagar,  
 K. Pudur, **Madurai** 625 007.  
 Tel: 9003944322

Post Bag 7156  
 67, Appuswamy Road  
**Coimbatore** 641 045  
 Tel : 9886300106

53-13-2 First Floor, Bank Colony  
 Srinivasanagar  
**Vijayawada** 520 008  
 Tel : 9061472255

D No 49-38-14/3/2, 1st Floor,  
 NGO's Colony, Akkayapalem,  
**Visakhapatnam** – 530 016  
 Tel: 0891 – 2711121/124



Marketed & Serviced by:

## L&T Construction Equipment

**Larsen & Toubro Limited**

1<sup>st</sup> Floor Lakshminarayan Complex, 10/1 Palace Road, Bengaluru- 560 052

Tel: (080) 22256982/83/84, 40401700 Fax: (080) 22250309

E-mail: ceb@larsentoubro.com www.larsentoubro.com

### Zonal Offices:

**Delhi** (011) 40819500  
**Nagpur** (0712) 6606441/2260025

**Kolkata** (033) 44002433/22831442  
**Hyderabad** (040) 47575064

**Pune** (020) 48544259  
**Chennai** (044) 40706864